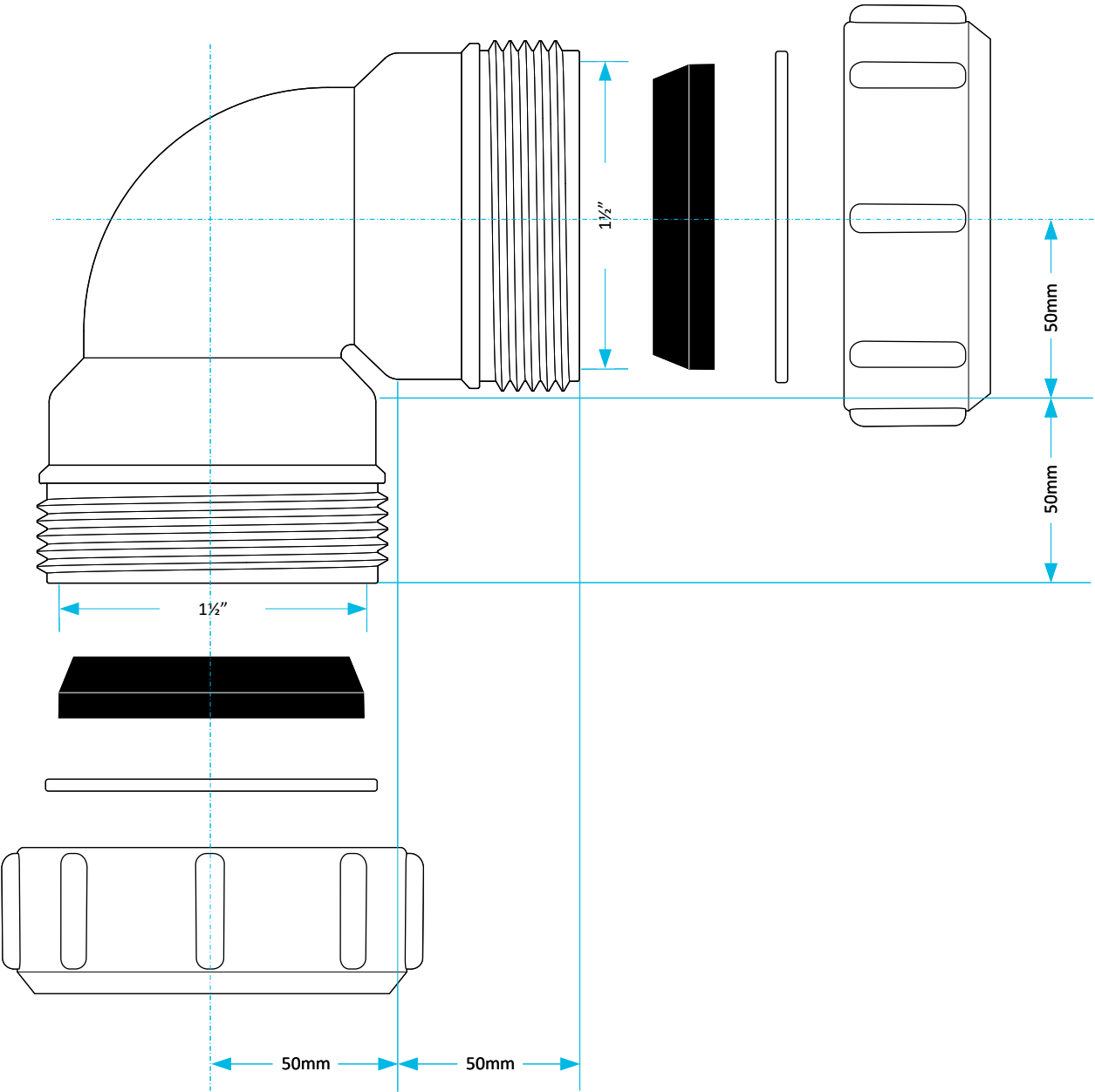


Technical Data Sheet



CODE:	W40C	© Viva Sanitary 01/08/2025	
DESCRIPTION:	1 1/2" 90° Bend Compression Connector		
CATEGORY:	Waste Fittings	DRAWN BY: RH	VERIFIED BY: AH