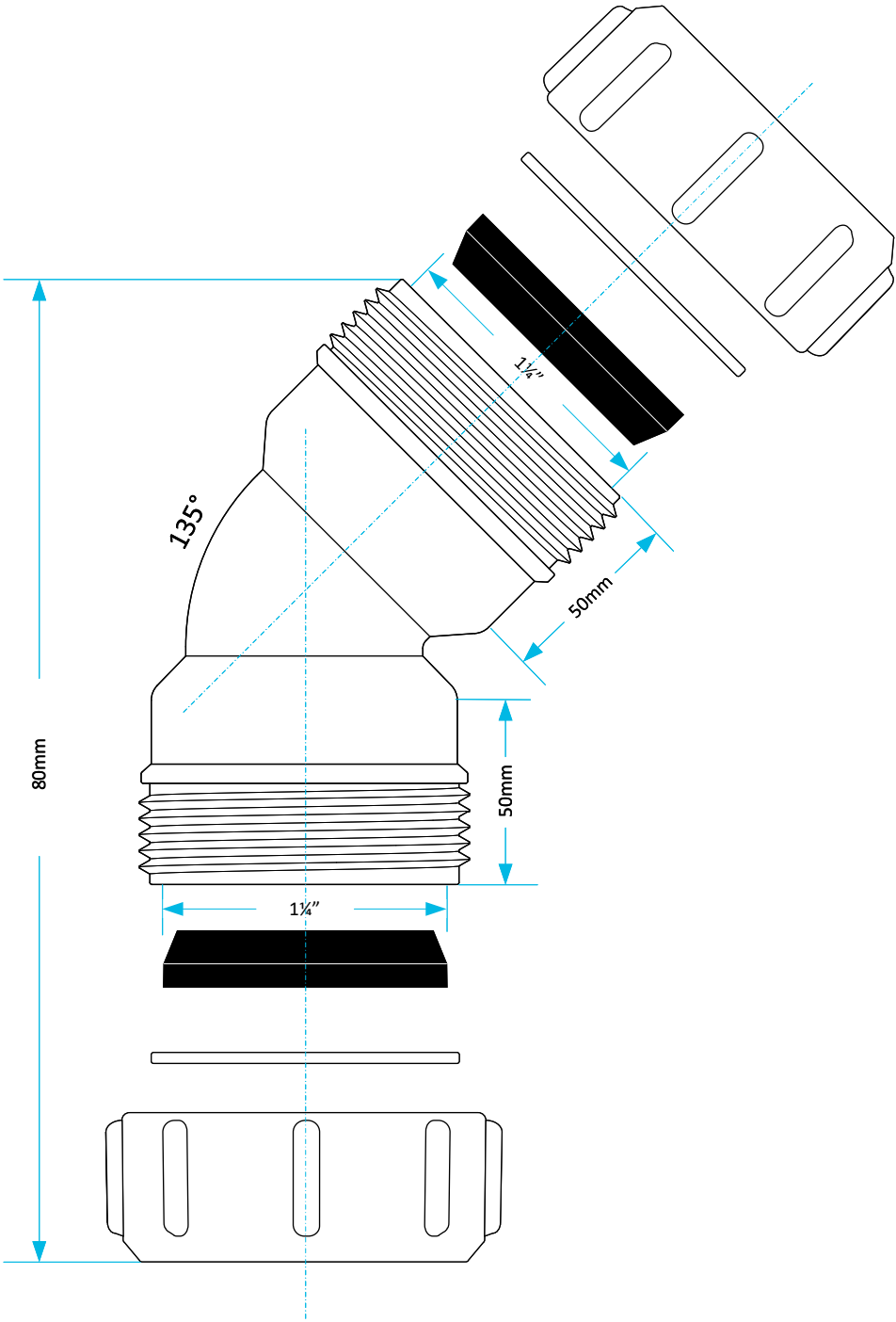


Technical Data Sheet



CODE:	W32E	© Viva Sanitary 01/08/2025	
DESCRIPTION:	1 1/4" 135° Bend Compression Connector		
CATEGORY:	Waste Fittings	DRAWN BY: RH	VERIFIED BY: AH