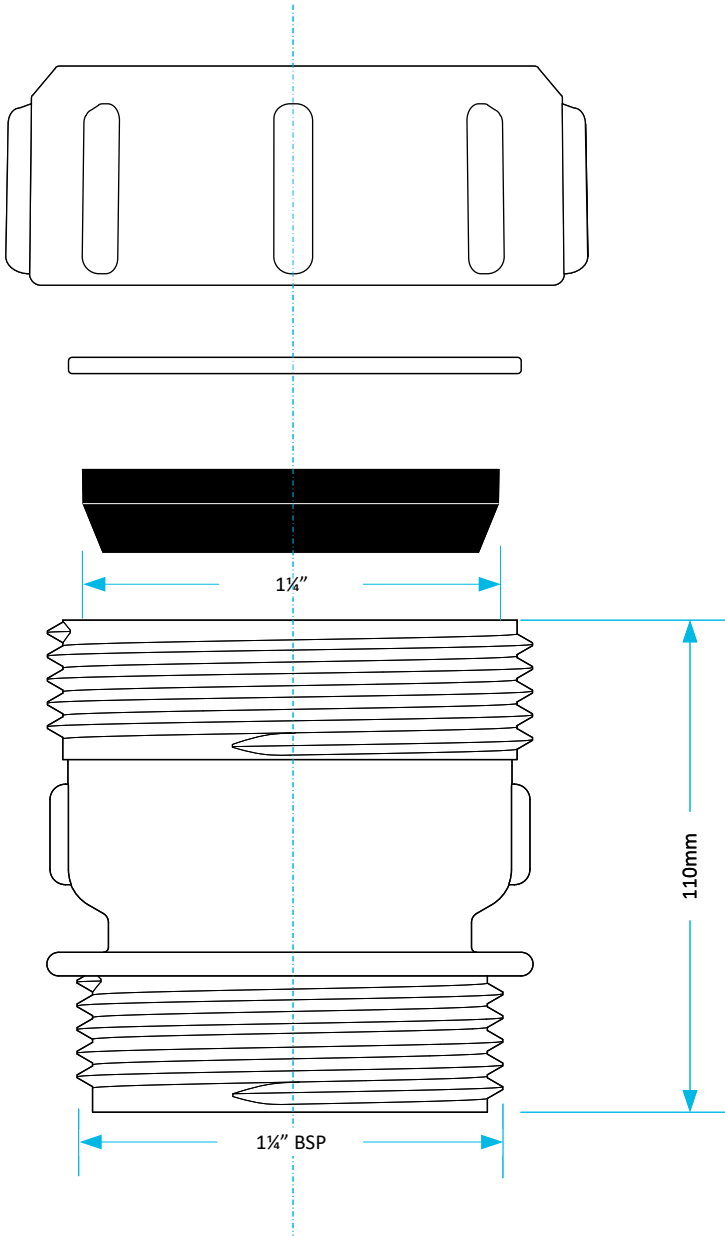


Technical Data Sheet



CODE: W32M

DESCRIPTION: 1/4" Straight Compression x BSP Male Connector

CATEGORY: Waste Fittings

© Viva Sanitary
01/08/2025

DRAWN BY: RH

VERIFIED BY: AH