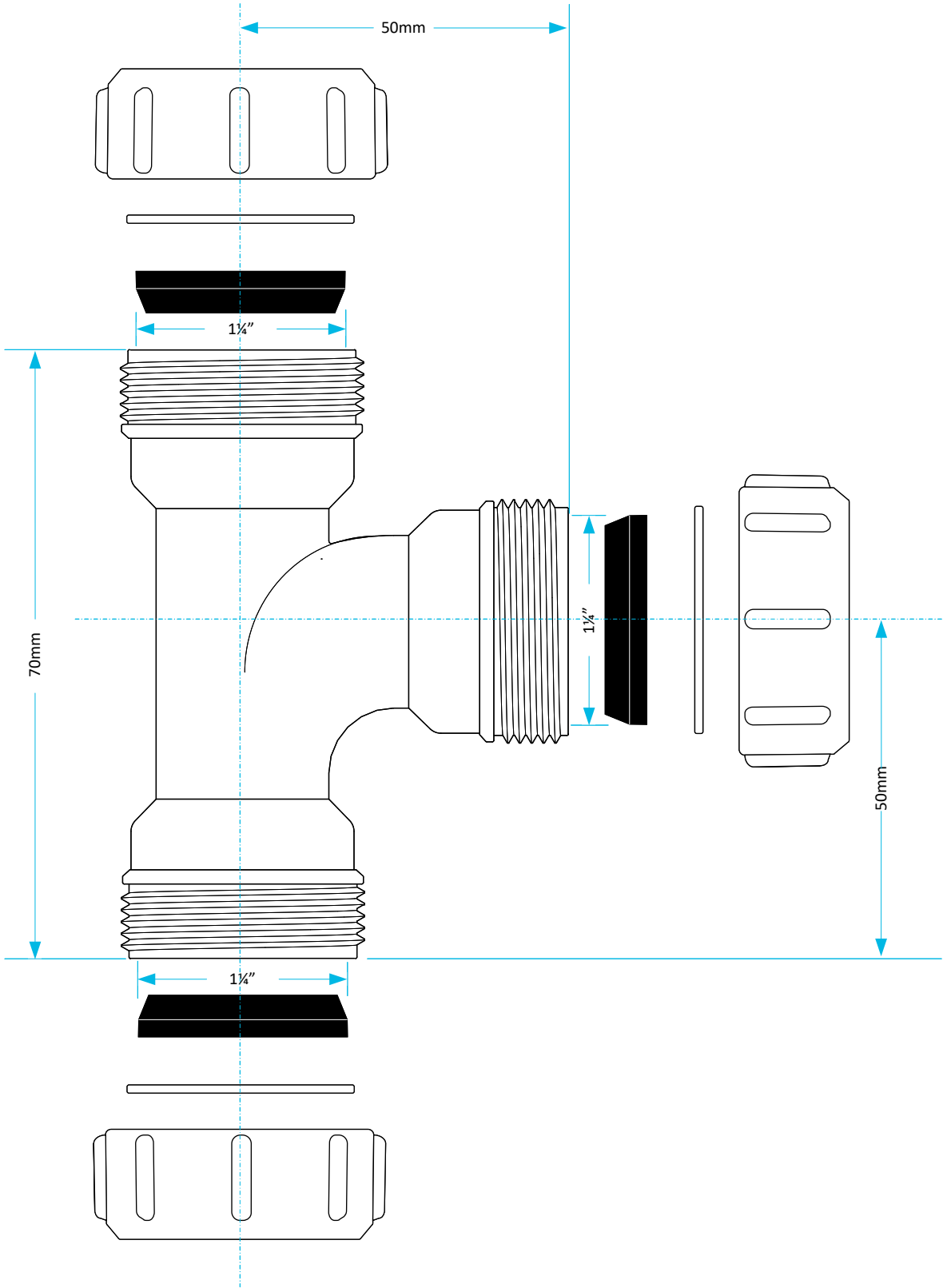


Technical Data Sheet



CODE: W32H	© Viva Sanitary 01/08/2025	
DESCRIPTION: 1 1/4" Swept Tee Compression Connector		
CATEGORY: Waste Fittings	DRAWN BY: RH	VERIFIED BY: AH