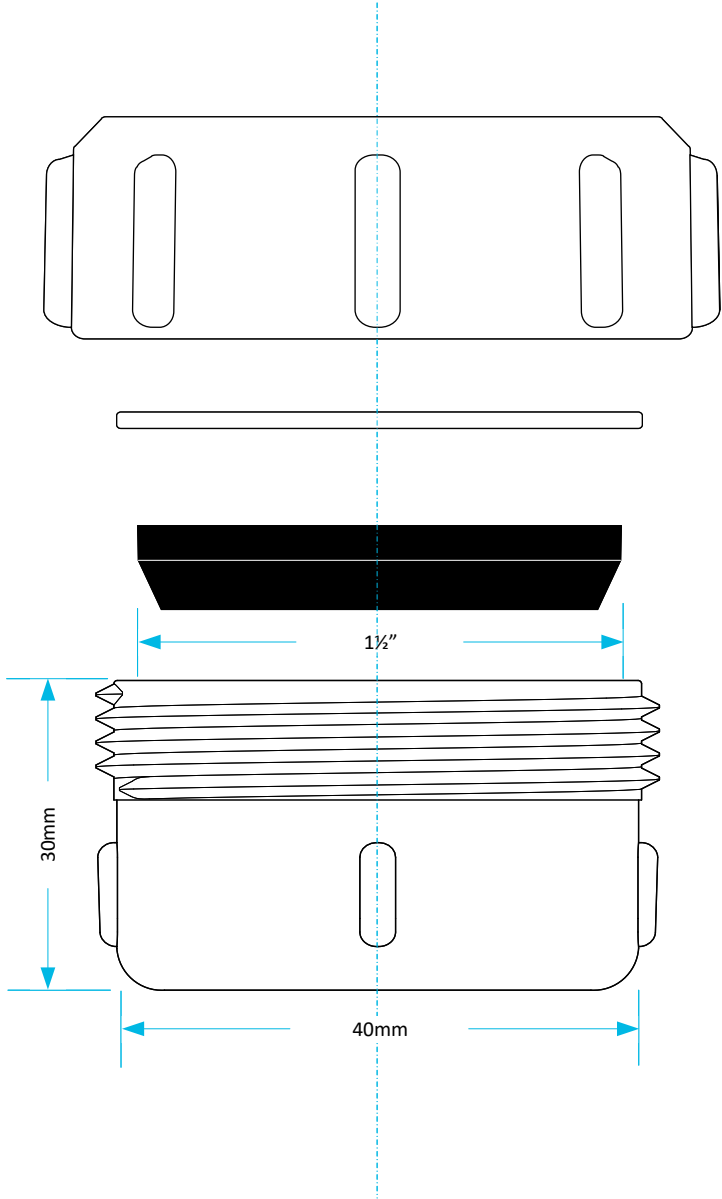


# Technical Data Sheet



CODE:	W40K	© Viva Sanitary 01/08/2025	
DESCRIPTION:	1 1/2" Compression Pipe Blanking Cap		
CATEGORY:	Waste Fittings	DRAWN BY: RH	VERIFIED BY: AH