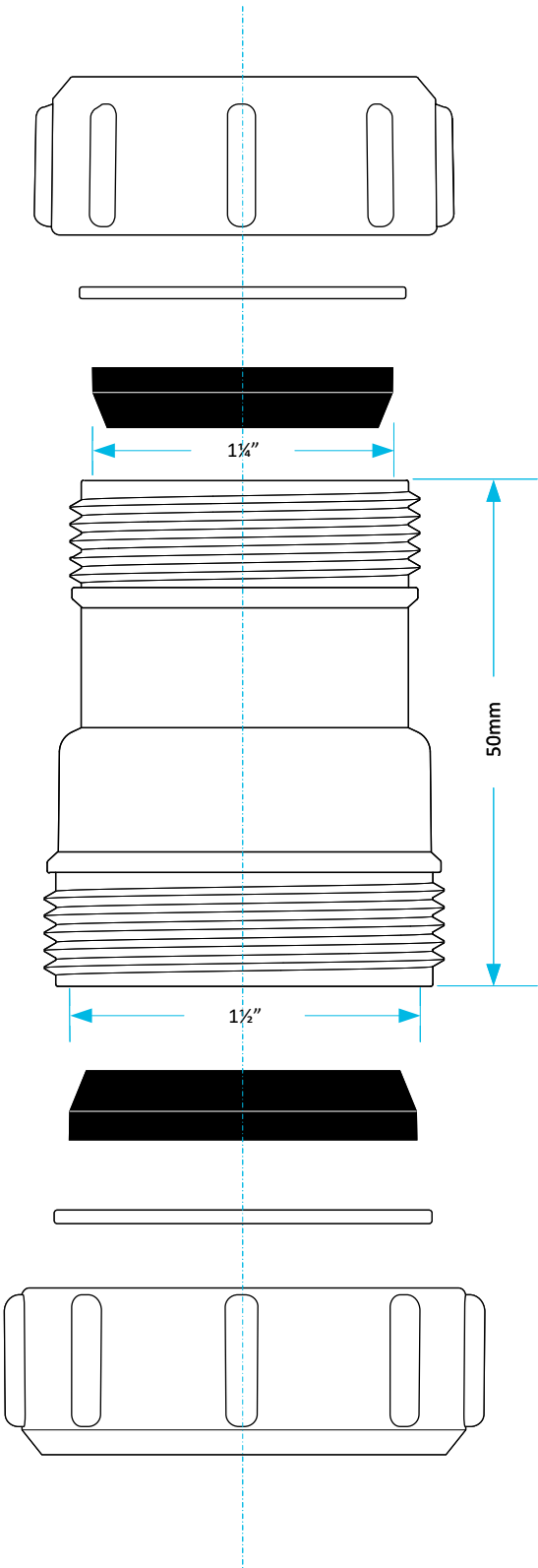


Technical Data Sheet



CODE:	W32R	© Viva Sanitary 01/08/2025	
DESCRIPTION:	1/4" - 1/2" Straight Compression Reducer		
CATEGORY:	Waste Fittings	DRAWN BY: RH	VERIFIED BY: AH