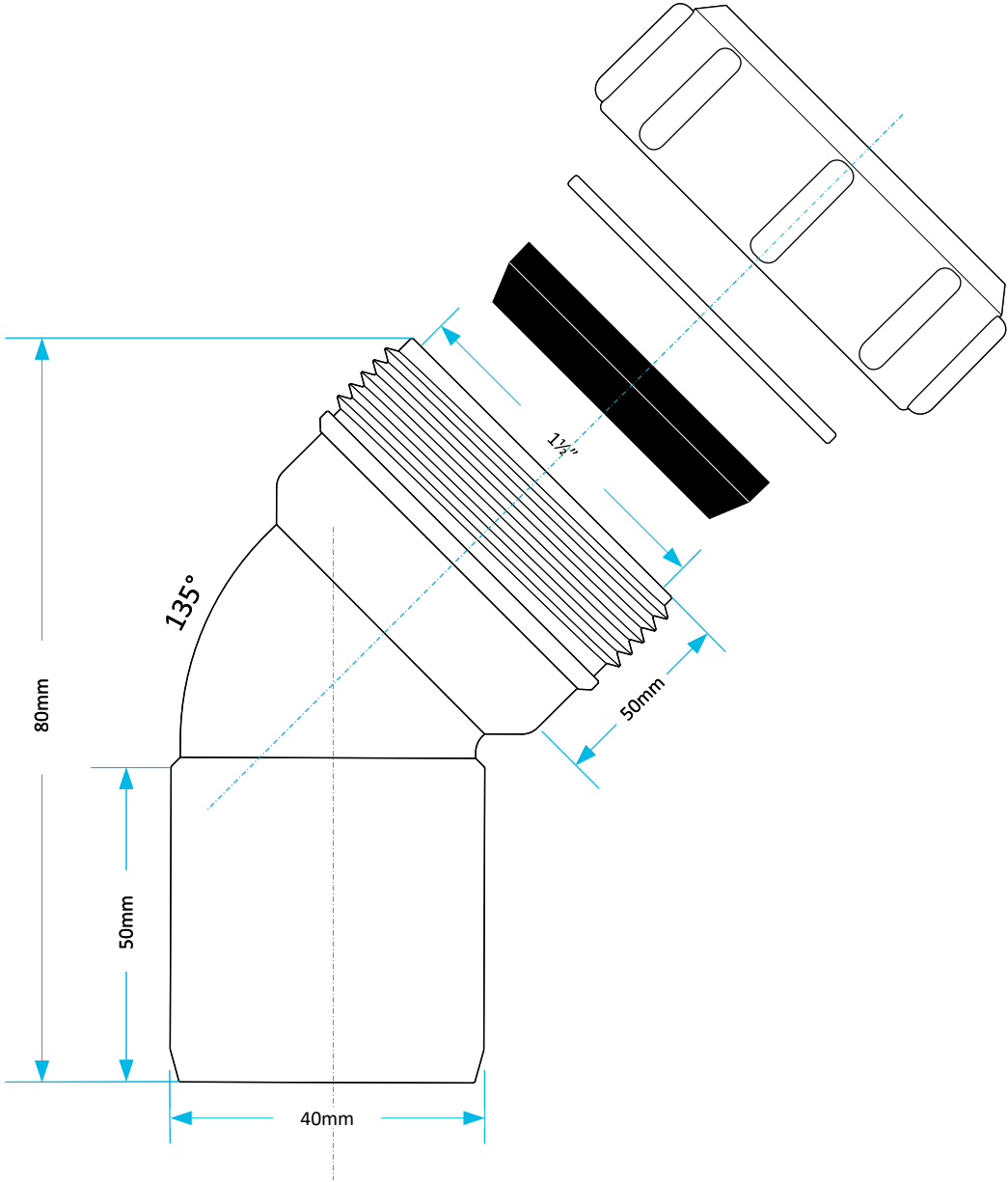


Technical Data Sheet



CODE:

W40F

DESCRIPTION:

1 1/2" 135° Bend Compression x Plain End Connector

CATEGORY:

Waste Fittings



Viva Sanitary
01/08/2025

DRAWN BY:

RH

VERIFIED BY:

AH