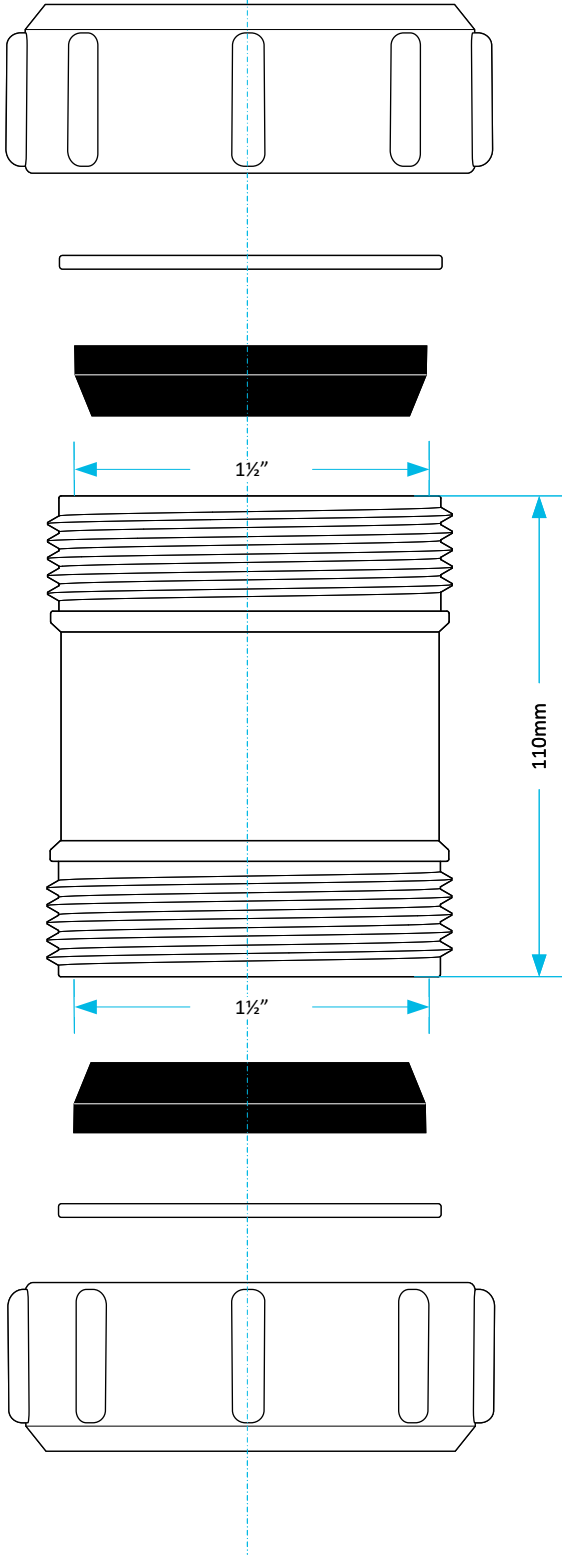


# Technical Data Sheet



CODE: W40A

DESCRIPTION: 1 1/2" Straight Compression Connector

CATEGORY: Waste Fittings

© Viva Sanitary  
01/08/2025

DRAWN BY: RH

VERIFIED BY: AH