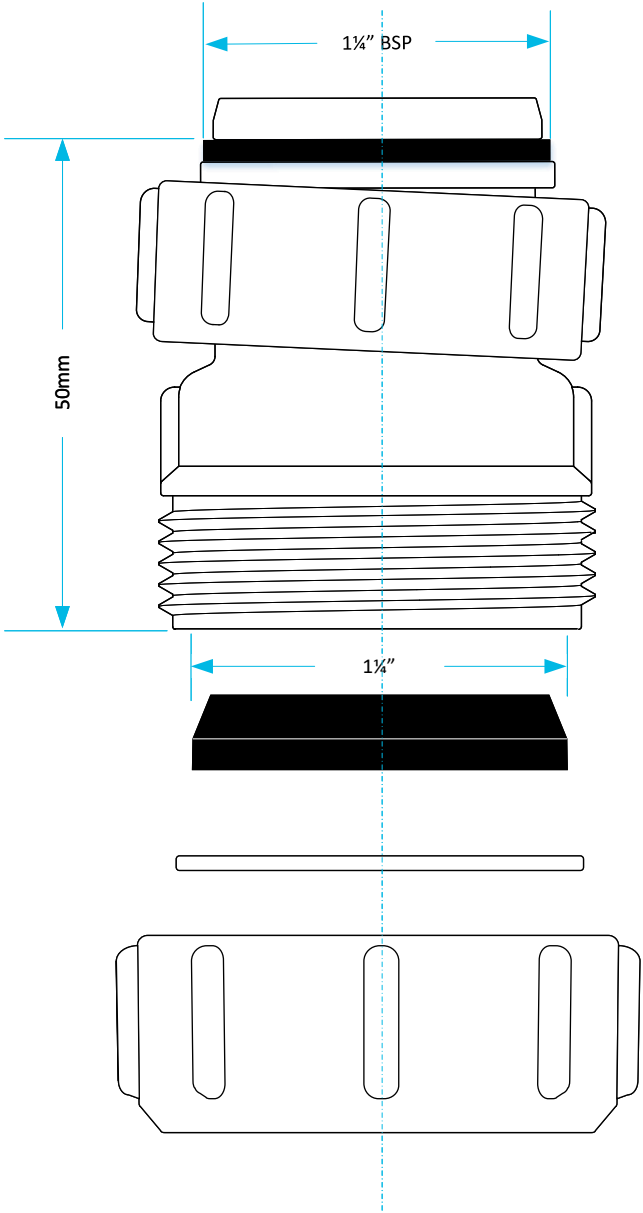


# Technical Data Sheet



CODE:	W32J	© Viva Sanitary 01/08/2025	
DESCRIPTION:	1 1/4" Straight Compression x BSP Connector		
CATEGORY:	Waste Fittings	DRAWN BY: RH	VERIFIED BY: AH