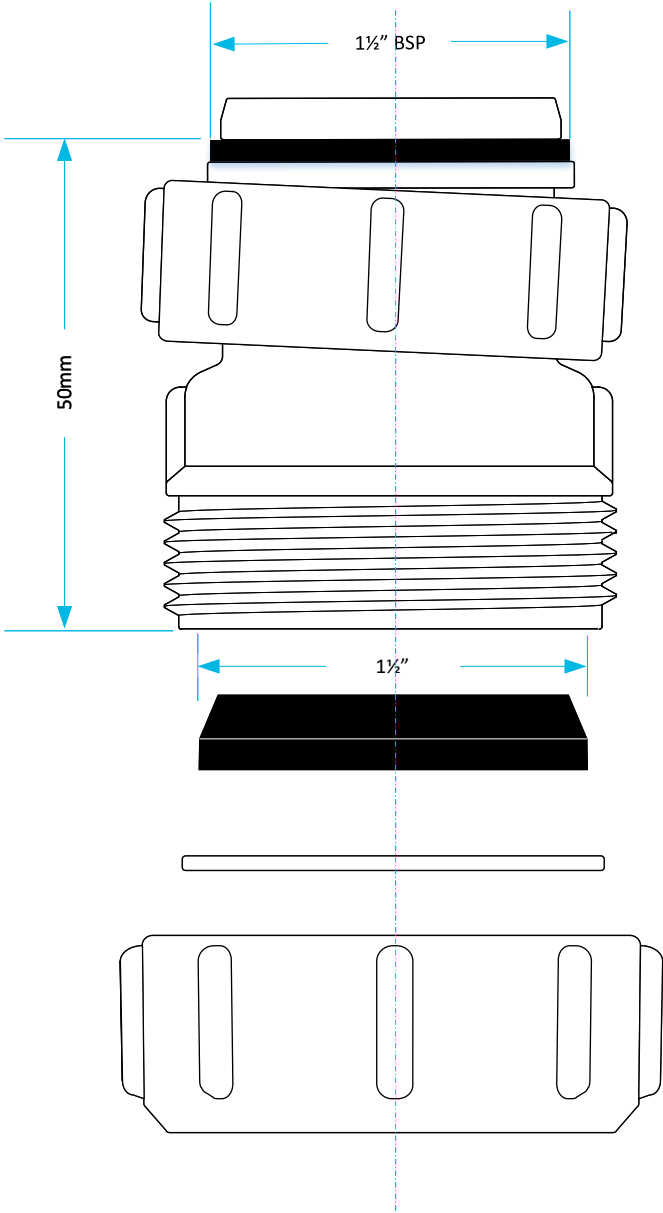


Technical Data Sheet



CODE: W40J	© Viva Sanitary 01/08/2025	
DESCRIPTION: 1 1/2" Straight Compression x BSP Connector		
CATEGORY: Waste Fittings	DRAWN BY: RH	VERIFIED BY: AH