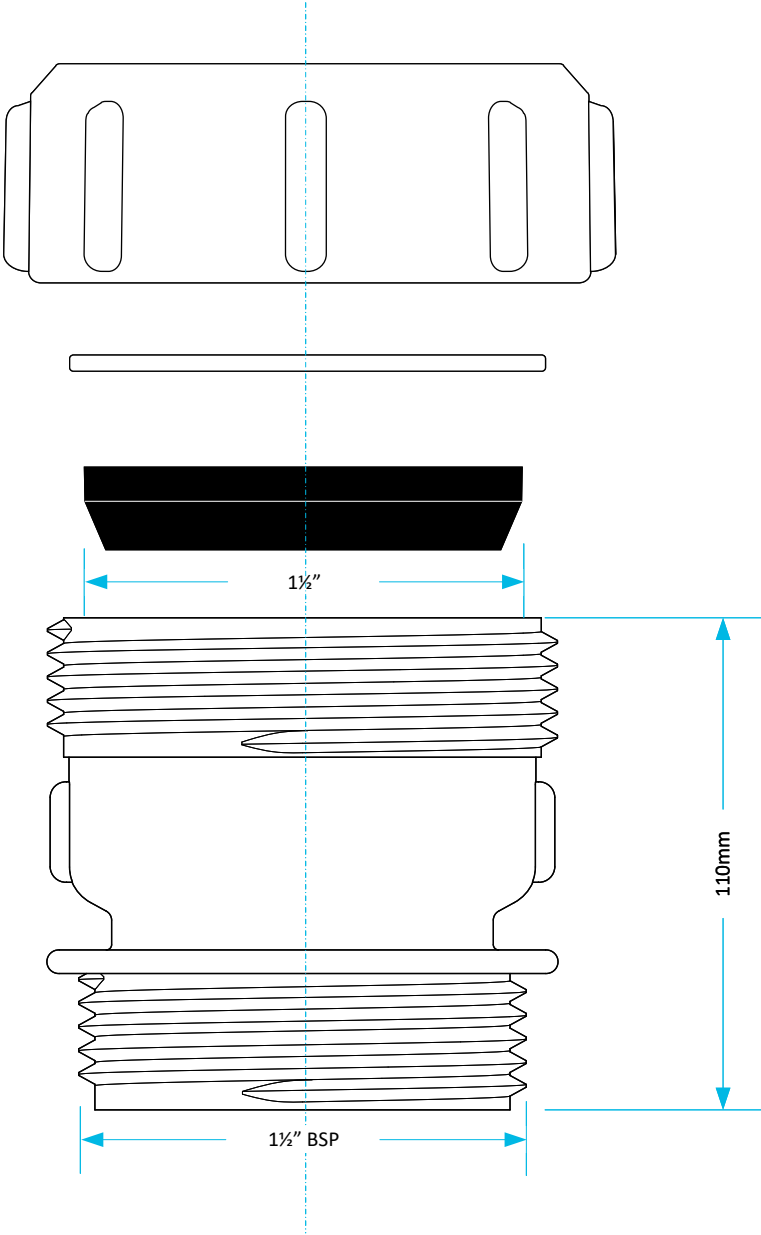


# Technical Data Sheet



CODE: W40M

DESCRIPTION: 1 1/2" Straight Compression x BSP Male Connector

CATEGORY: Waste Fittings

© Viva Sanitary  
01/08/2025

DRAWN BY: RH

VERIFIED BY: AH